



Dahua HD Recessed Mount Dome Network Camera

Quick Start Guide

Welcome

Thank you for purchasing our network cameras.

This user's manual is designed to be a reference tool for using your product.

Please read the following safeguards and warnings carefully before you use this series product.

Please keep this user's manual well for future reference.

Important Safeguards and Warnings

Electrical safety

- All installation and operation should conform to your local electrical safety codes.
- The power source shall conform to the requirement of the Safety Extra Low Voltage (SELV) standard, and supply power with voltage rated by DC 12 V or AC 24 V according to the Limited Power Source requirement of IEC60950-1. Please note that the power supply requirement is subject to the device label.
- Make sure the power supply is correct before operating the device.
- A readily accessible disconnect device shall be incorporated in the building installation wiring
- Prevent the power cable from being trampled or pressed, especially the plug, power socket and the junction extruded from the device.
- We assume no liability or responsibility for all the fires or electrical shock caused by improper handling or installation.

Environment

- Do not aim the device at strong light to focus, such as lamp light and sun light, otherwise it might cause over brightness or light marks, which are not the device malfunction, and affect the longevity of Charge Coupled Device (CCD) or Complementary Metal-Oxide Semiconductor (CMOS).
- Do not place the device in a damp or dusty environment, extremely hot or cold temperatures, or the locations with strong electromagnetic radiation or unstable lighting.
- Keep the camera away from water or other liquid to avoid damages to the internal components.
- Keep the indoor device away from rain or damp to avoid fire or lightning.
- Keep sound ventilation to avoid heat accumulation.
- Transport, use and store the device within the range of allowed humidity and temperature.
- Heavy stress, violent vibration or water splash are not allowed during transportation, storage and installation.
- Pack the device with standard factory packaging or the equivalent material when transporting the device.

Operation and Daily Maintenance

- Do not directly touch the heat dissipation component of the device to avoid scald.

- Do not dismantle the device because there is no component that can be fixed by users themselves. Otherwise, it might cause water leakage or bad image due to unprofessional dismantling.
- Please contact after-sale service to replace desiccant when it becomes green.
- It is recommended to use the device together with lightning arrester to improve lightning protection effect.
- It is recommended to get the grounding holes to be grounded to enhance the reliability of the device.
- Do not directly touch the optic component CCD or CMOS. You can use the air blower to blow away the dust or dirt on the lens surface. Please use a dry cloth wetted by alcohol to wipe away the dust gently if necessary.
- Use the dry soft cloth to clean the device. If the dust is difficult to be removed, please wipe it away with a clean cloth wetted slightly by the mild detergent, and then use the dry cloth to clean the device. Do not use volatile solvents like alcohol, benzene, thinner, or strong detergent with abrasiveness, otherwise it will damage the surface coating or reduce the working performance of the device.
- When installing or using the device, do not directly touch or wipe the surface of the dome cover because it is an optical device. If stained with dirt, use oil-free soft brush or air blower to gently wipe it away. If stained with grease or fingerprint, use soft cloth to gently wipe the water drop or oil and wait till it is dry, and then use oil-free cotton cloth or lens cleaning paper soaked with alcohol or detergent to wipe from the lens center outward till it is clean.
- We are not liable for any problems caused by unauthorized modification or attempted repair.

Warnings

- Please modify the default password after login to avoid being stolen.
- Use the standard components provided by manufacturer and make sure the device is installed and fixed by professional engineers.
- The surface of the image sensor should not be exposed to laser beam radiation in an environment where a laser beam device is used.
- Do not provide two or more power supply sources for the device, otherwise it might damage the device.

Disclaimer

- This manual is for reference only. Please refer to the actual product for more details.
- Minor differences might be found in user interface, and there might be deviation between the actual value of some data and the value provided in the manual due to the reasons such as the real environment is not stable. Please refer to the final explanation of the company if there is any doubt or dispute.
- All the designs and software are subject to change without prior written notice. The manual will be regularly updated according to the product upgrade without prior announcement.
- Please contact the supplier or customer service if there is any problem occurred when using the device.
- Please contact the customer service for the latest procedure and supplementary documentation.
- Please visit our website or contact your local service engineer for more information.

- The company is not liable for any loss caused by the operation that does not comply with the manual.
- If there is any uncertainty or controversy, please refer to our final explanation.

Regulatory Information

FCC Information

1.1 FCC conditions:

This device complies with part 15 of the FCC Rules. Operation is subject to the following two conditions:

- This device may not cause harmful interference
- This device must accept any interference received, including interference that may cause undesired operation.

1.2 FCC compliance:

This equipment has been tested and found to comply with the limits for a digital device, pursuant to part 15 of the FCC Rules. These limits are designed to provide reasonable protection against harmful interference. This equipment generate, uses and can radiate radio frequency energy and, if not installed and used in accordance with the instruction manual, may cause harmful interference to radio communication. However, there is no guarantee that interference will not occur in a particular installation. If this equipment does cause harmful interference to radio or television reception, which can be determined by turning the equipment off and on, the user is encouraged to try to correct the interference by one or more of the following measures:

- Reorient or relocate the receiving antenna.
- Increase the separation between the equipment and receiver.
- Connect the equipment into an outlet on a circuit different from that to which the receiver is connected.
- Consult the dealer or an experienced radio/TV technician for help.

Note

- Please refer to the disk for more details, check and download the corresponding user's manual and tool.
- Before installation, please open the package and check all the components are included.
- Contact your local retailer as soon as possible if something is broken in your package.

Component list	Quantity
Network Camera Unit	1
Quick Start Guide	1
Installation Accessories Bag	1
CD	1

Table of Contents

1 Device Framework.....	1
1.1 Structure and dimension	1
1.2 Dimension	2
2 Device Installation.....	3
3 Network Configuration.....	5
3.1 Modify IP Address	5
3.2 Login WEB Interface	6

1 Device Framework

1.1 Structure and dimension

Note

- The following structure figure is for reference only. It is only used to know the functions of structure components and ports.
- There might be some minor differences between different devices, so please refer to the actual products you purchased.

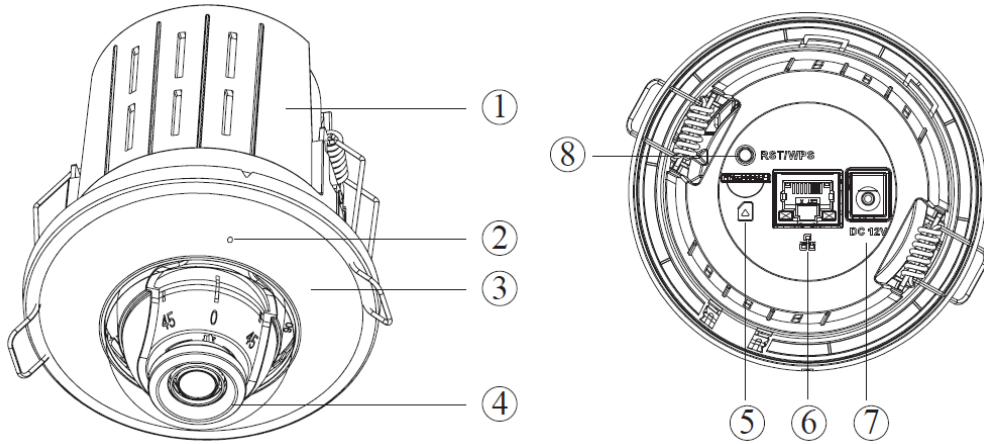


Figure 1-1

Please refer to Table 1-1 and Table 1-2 for the structure components and port functions respectively.

SN	Name
1	Enclosure
2	MIC hole
3	Upper cover component
4	Lens component

Table 1-1

SN	Port name	Function description
5	Micro SD card installation slot	Install Micro SD for local storage.
6	Network port	Connect to standard Ethernet cable.
7	Power port	Input DC 12V.

SN	Port name	Function description
8	RST/WPS button	<ul style="list-style-type: none"> Press WPS button for 1~2 seconds, the indicator light becomes green and flashes, and then press the WPS button of the router, generally the device can be connected to corresponding router within 1 minute. <p>Note Only the WiFi device supports WPS function.</p> <ul style="list-style-type: none"> When the device works normally, continuously press the reset button for over 10 seconds, and then loosen the button when the indicator light is off. The system config info can be restored to factory default setting after reboot.

Table 1-2

1.2 Dimension

Note

The following figure is for reference only, which is only used to know the device dimension.

Refer to Figure 1-2 for the dimension of the device. The unit is mm.

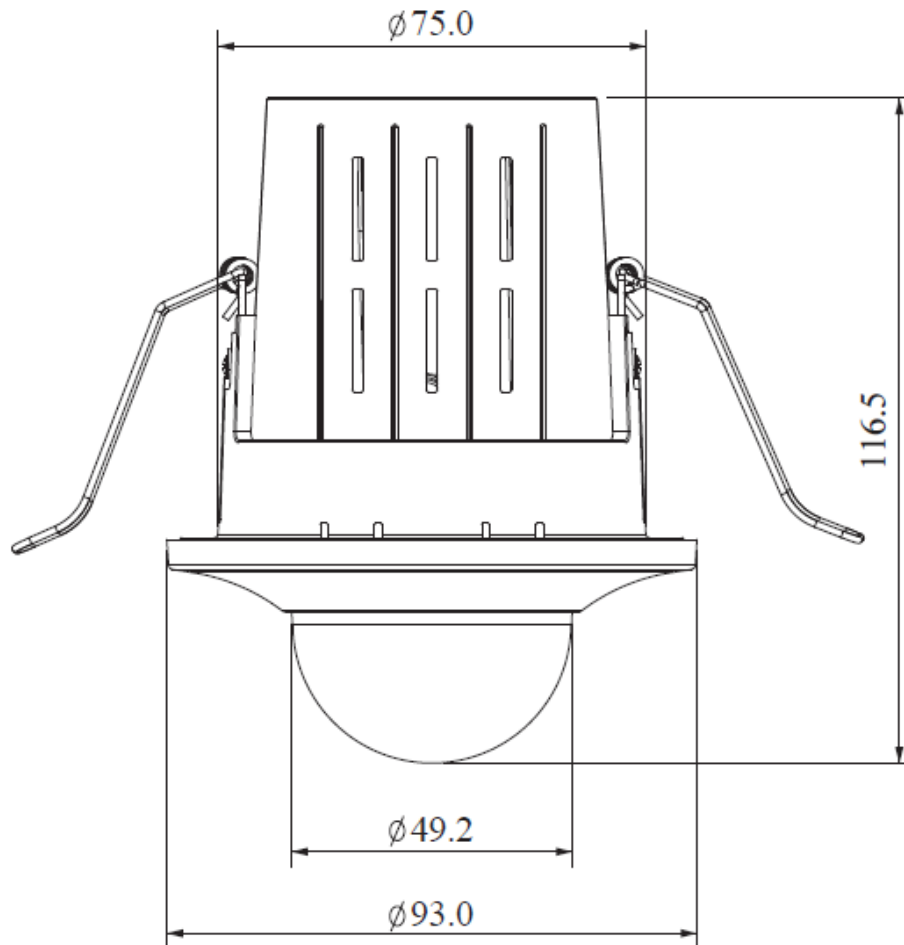


Figure 1-2

2 Device Installation

Note

- The following figures are for reference only, please refer to the product for more details.
- Make sure the bracket installation surface can sustain at least 3X weight of the total weight of bracket and camera.
- Please cut off power before installing Micro SD card.

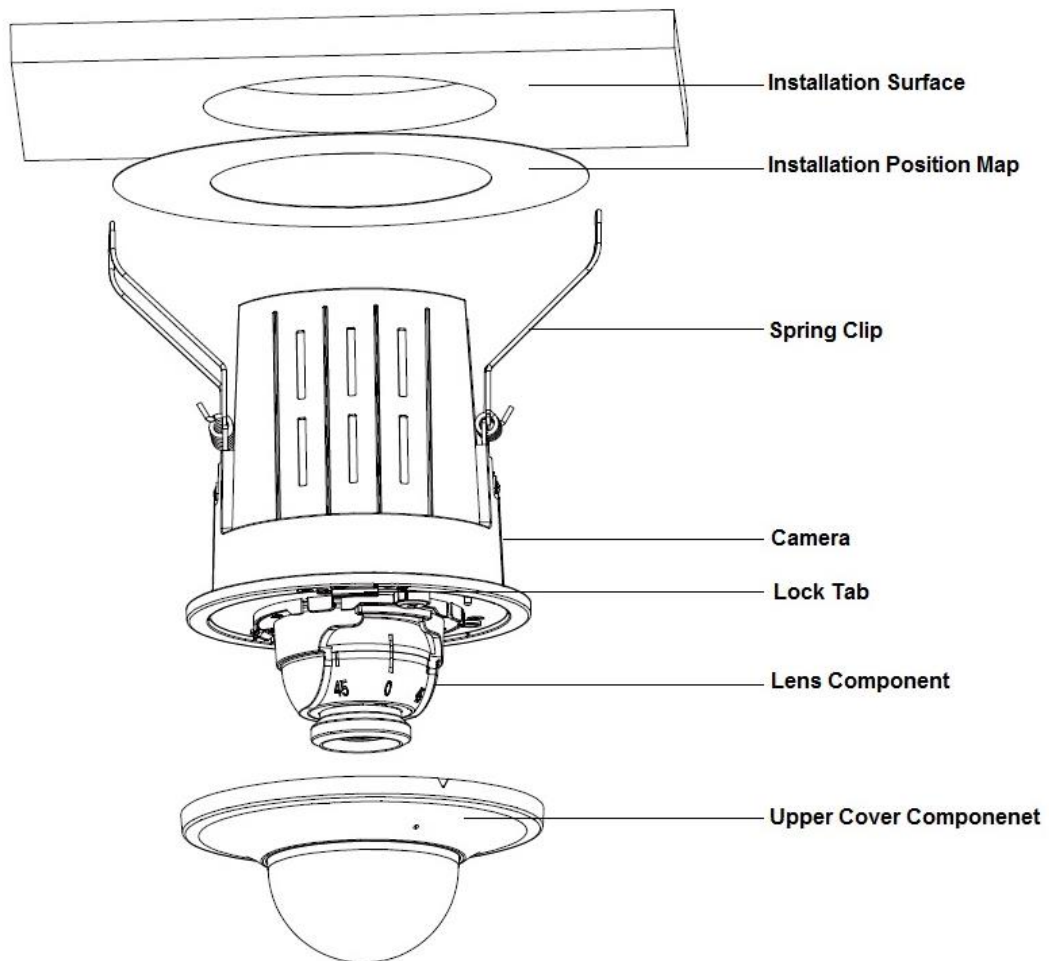


Figure 2-1

Step 1 Take out the installation position map out of the accessories bag, paste it on the installation surface (wall or ceiling), and then dig mounting holes according to the hole size of installation position map.

Step 2 Take down the upper cover component of the device, pull the external cable through mounting hole and connect it to network port and power port respectively. The upper cover component is absorbed via magnetic force, you can remove it by pulling slightly.

Step 3 (Optional) Insert the Micro SD card into the SD card slot according to the direction shown in Figure 2-2.

Note

It needs to implement the step when it has to use Micro SD card.

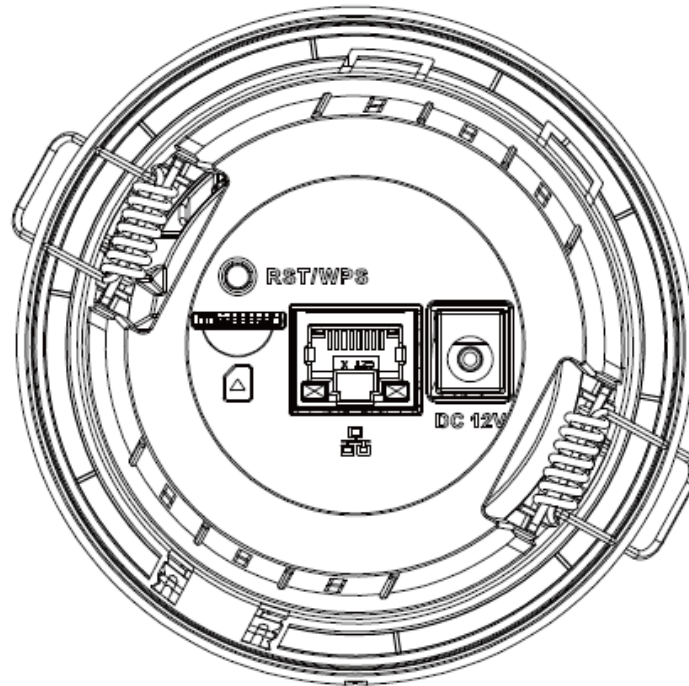


Figure 2-2

Note

Please take down the upper cover component first, push the lock tab outward and take out the internal components when it needs to replace Micro SD card.

Step 4 Pull the spring clip upward and push into the mounting hole to fix the device on the installation surface.

Step 5 Rotate the lens component manually to adjust camera monitoring direction.

Lens adjustment angle range: vertical rotation direction ($0^{\circ} \sim +90^{\circ}$), horizontal rotation direction ($0^{\circ} \sim +360^{\circ}$); It is recommended that horizontal rotation angle is no more than 90° when rotating image via rotating lens in order to avoid wire wrapping and other problems.

Step 6 It can install the upper cover component back to device via magnetic force after aligning MIC hole with the MIC on the internal component of the device.

3 Network Configuration


The IP address of all the cameras is the same when leaving factory (default IP 192.168.1.108). To make the camera access to the network smoothly, please plan the available IP segment reasonably according to the actual network environment.

3.1 Modify IP Address

The cameras which are accessed via wired network can acquire and modify the IP address through “Quick Configuration Tool”. This section introduces the approach of modifying IP address via “Quick Configuration Tool”. You can also modify the IP address in the network parameters of the WEB interface. Please refer to the document *WEB Operation Manual* in the disk for more details.

To modify IP address, do the following:

Step 1 Double-click “ConfigTool.exe” to open the “Quick Configuration Tool”.

Step 2 Click  to enter the interface where you can modify IP address, and then click **Search setting**.

The system pops up the **Setting** dialog box, see Figure 3-1.

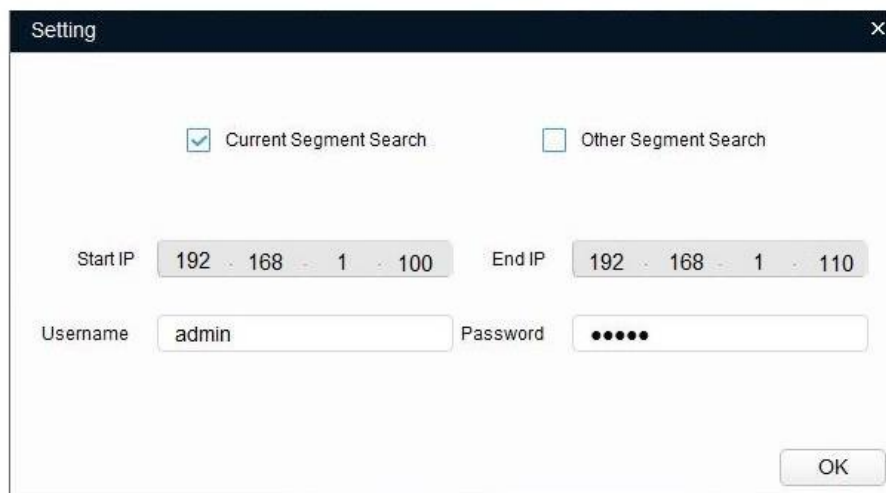


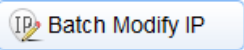
Figure 3-1

Step 3 Set the device network segment, login user name and password, and then click **OK**. The system will display the searched devices after searching completes.

Note

The default username and password is **admin** and **admin** respectively.

Step 4 Select the devices which IP addresses need to be modified, and then

click .

The system will pop up the **Modify IP Address** dialog box, see Figure 3-2.

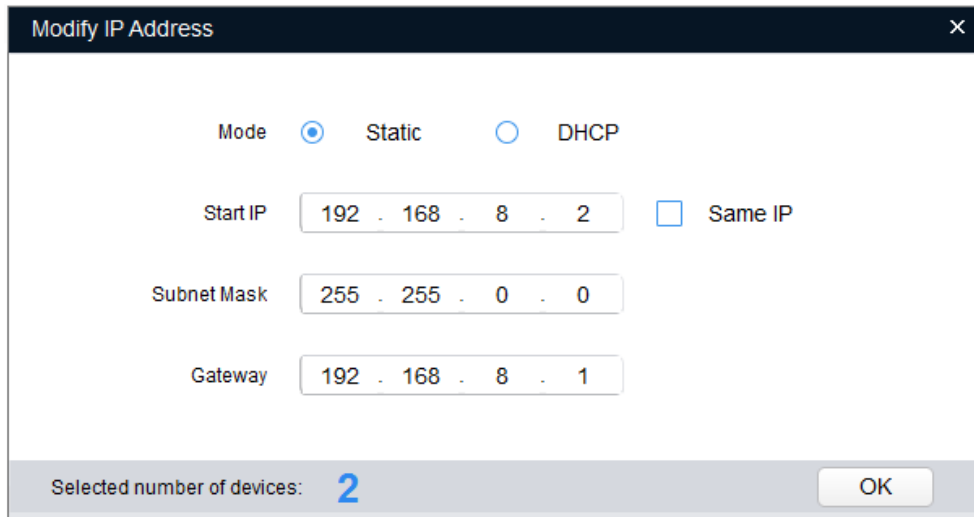


Figure 3-2

Step 5 Set the mode as **Static**, and input the planned Start IP, Subnet Mask and Gateway.

Note

Set the mode as **DHCP** when there is DHCP server in the network, the device will automatically acquire IP address from the DHCP server.

Step 6 Click **OK** to finish modification.

3.2 Login WEB Interface

Note

Different devices might have different WEB interfaces, the figures in this document are just for reference, please refer to the document *WEB Operation Manual* in the disk and the actual interface for more details.

To login WEB interface, do the following:

Step 1 Open IE browser and input the modified camera IP address in the address bar, and then press **Enter** key.

The login interface shows, see Figure 3-3.



Figure 3-3

Step 2 Input username and password, click **Login**. The system will pop out WEB main interface.

Note

The default username and password is **admin** and **admin** respectively, please modify the administrator password as soon as possible after you successfully logged in.

Step 3 Click [Here to Download Plug-in](#), and then install controls according to the system prompt. See Figure 3-4 for the WEB main interface.

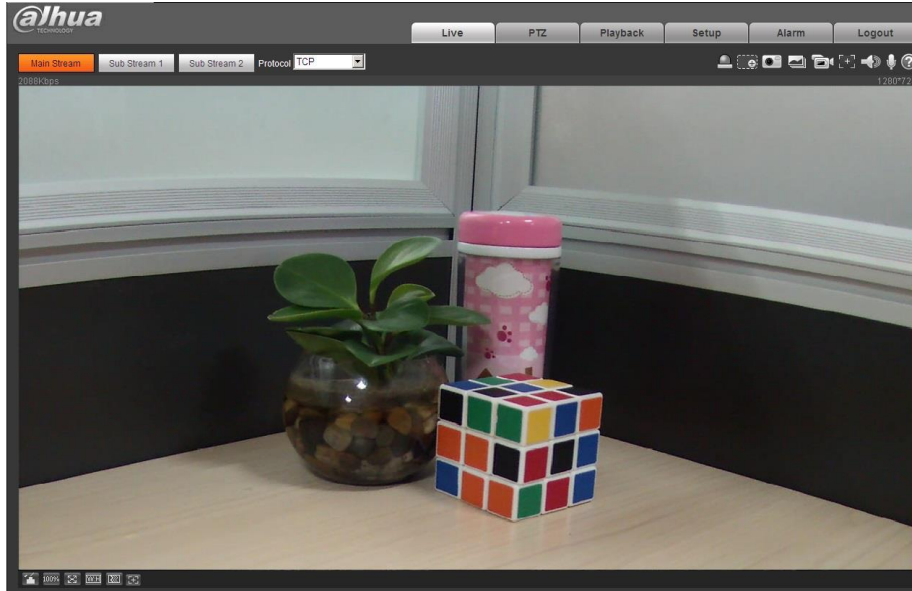


Figure 3-4